

4

3

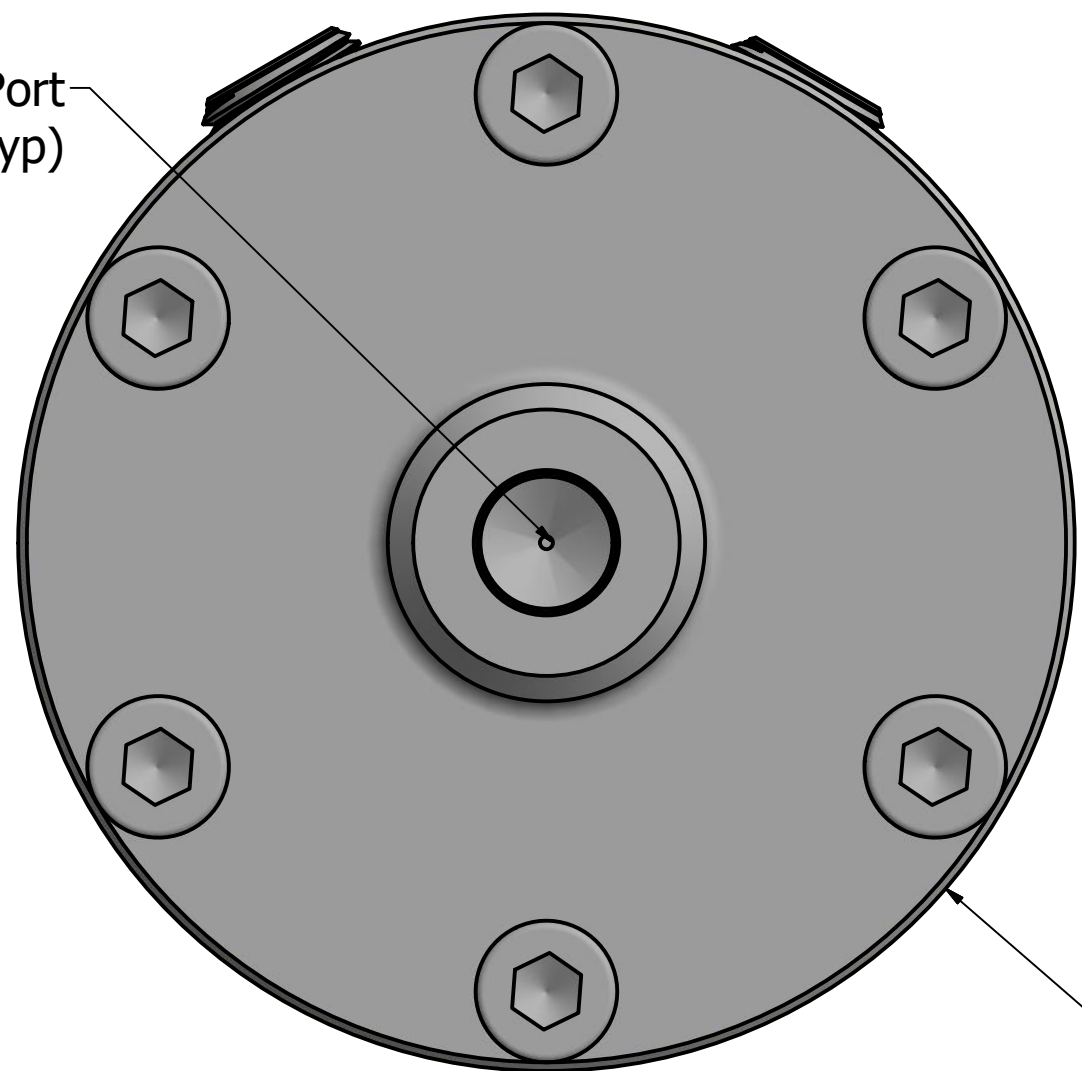
2

1

D

D

Pilot Port
(1/8" NPT typ)

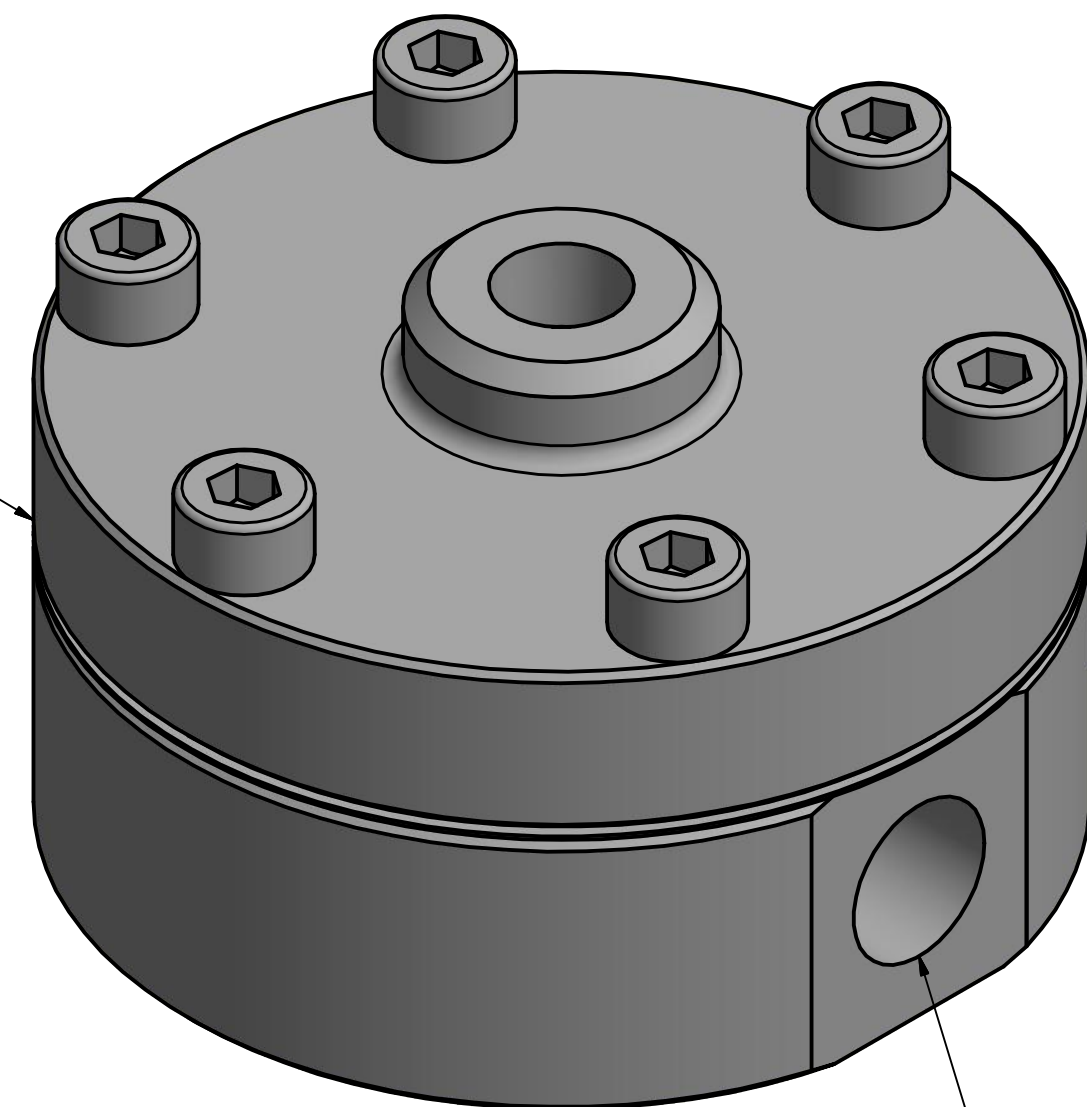


Ø2.5

C

C

Inlet
(Not Shown)



Outlet

B

B

B

B

.39

1.3

1.5

2.4

A

A

This drawing is the property of Equibar, LLC, and may not be distributed or used for any purpose without written permission. Pressure regulator designs are protected by US Patent 6,886,591 and pending US and foreign patents.

DRAWN	RH	8/8/2018	Equibar LLC		
CHECKED	TT	8/8/2018	TITLE		
QA			HFXSXX12 Assembly		
MFG			SIZE	DWG NO	REV
APPROVED	TT	8/8/2018	C	HFXSXX12	N/A
			SCALE	2.2	SHEET 1 OF 1

4

3

2

1

A